

© 2009 All Rights Reserved

Acer Liquid (S100) Smartphone Quick Guide
Original Issue: 10/2009

Acer Liquid (S100) Smartphone

Model number: _____

Serial number: _____

Date of purchase: _____

Place of purchase: _____

What's in the box?

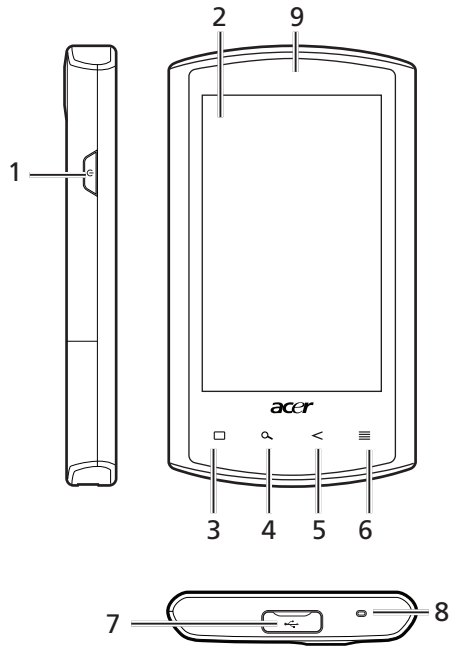


smartphone series

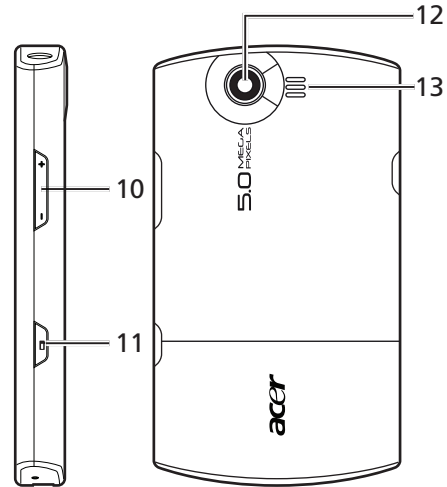
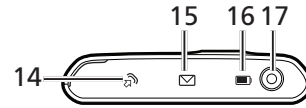
Your smartphone

No. Item

- 1 Power button
- 2 Touchscreen
- 3 Home button
- 4 Search button
- 5 Back button
- 6 Menu button
- 7 Mini USB connector
- 8 Microphone
- 9 Phone speaker



2



No. Item

- 10 Volume up/down button
- 11 Camera button
- 12 Camera
- 13 Handsfree speaker
- 14 Call indicator
- 15 Mail/message indicator
- 16 Battery indicator
- 17 3.5 mm headphone jack

3

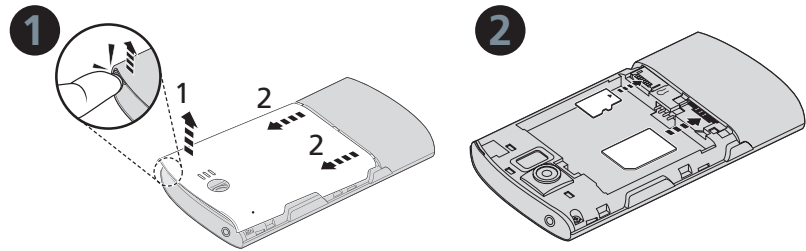
smartphone series

Setting up for the first time

Inserting the SIM card and battery

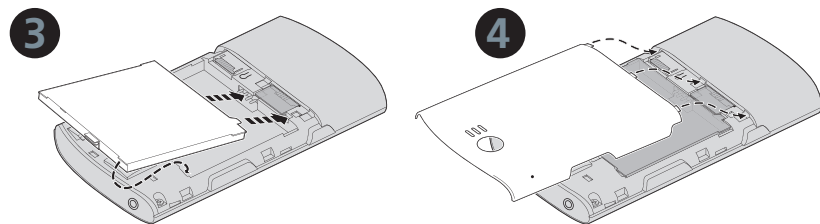
Insert your fingernail into the cutout between the battery cover and the phone. Unclip the cover and lift off the battery cover.

Slide the SIM card into the SIM card slot, with the gold connectors facing down. Ensure the SIM card is aligned as shown by the icon on the phone and fully inserted.



Place the battery into the battery compartment, lining up the battery connectors with those at the bottom of the compartment.

Gently, but firmly clip the battery cover in place.

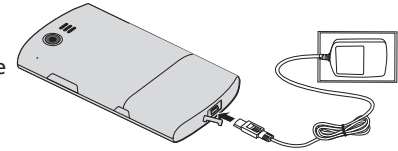


4

Charging your phone

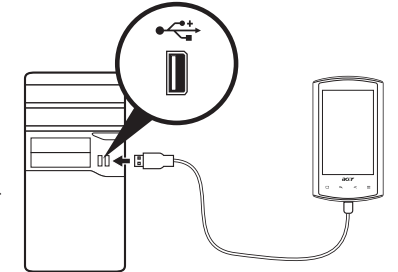
For initial use, you need to charge your smartphone for eight hours. After that you can charge it each day to recharge the battery to full capacity.

Connect the AC adapter cord to the mini USB connector on your smartphone. Plug the AC adapter into any AC current outlet and charge the device.



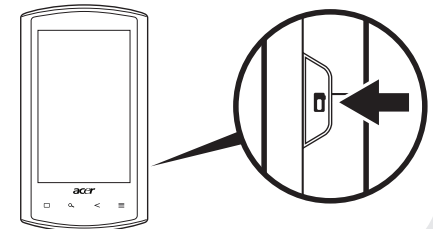
Connecting to a PC

You can synchronize the information on your smartphone with the data on your computer. Plug the mini USB sync cable end into the mini USB connector on your smartphone, and the USB client connector into an available USB port on your computer.



Using the camera

1. To activate the camera, press the camera button or slide up the application tab and tap Camera.
2. Frame your subject and steady your smartphone.
3. Adjust the settings, such as brightness and effects, mode, ISO, white balance, resolution and timestamp.



5

smartphone series

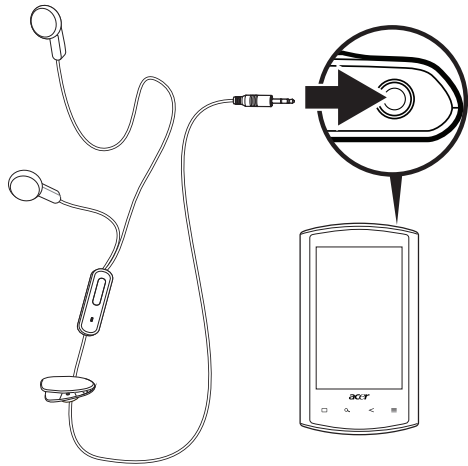
Using the headset

Your smartphone comes packaged with a stereo headset with built-in microphone for handsfree use when making calls.

To use the headset, plug it into the 3.5 mm headset jack at the top of the phone.

When the headset is plugged in, all audio is routed to the headset, and the speakers are turned off.

- To answer an incoming call, press the button on the microphone.
- Adjust the volume using the volume up/down button on the side of the smartphone.
- End the call by pressing the button again.



Product registration

When using your product for the first time, it is recommended that you immediately register it. This will give you access to some useful benefits, such as:

- Faster service from our trained representatives
- Membership in the Acer community: receive promotions and participate in customer surveys
- The latest news from Acer

Hurry and register, as other advantages await you!

How to register

To register your Acer product, visit our website at registration.acer.com. Choose your country and follow the simple instructions.

You can also register directly from your smartphone by tapping the Registration icon.

After we receive your product registration, you will be sent a confirmation email with important data that you should keep in a safe place.

