

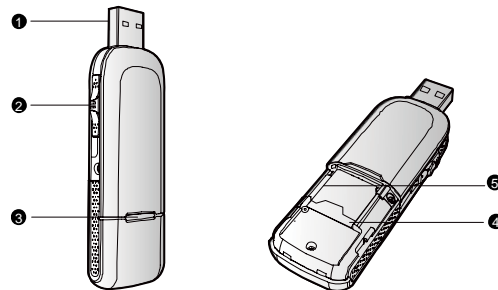
Thank you for choosing the Mobile Broadband USB Slider. With your USB Slider, you can access a wireless network at high speed.

Note:

This manual describes the appearance of the USB Slider, as well as the procedures for preparation, installation, and removal. For operation details about the management program, see the online help included in the management program.

Getting to Know Your USB Slider

The following figure shows the appearance of the USB Slider. It is provided only for your reference. The actual product may be different.



1 USB Connector

It connects the USB Slider to a PC.

2 Slider

It extends or retracts the USB connector.

3 Indicator

It indicates the status of the USB Slider.

- Green, blinking twice every 3s: The USB Slider is powered on.
- Green, blinking once every 3s: The USB Slider is registering with a 2G network.
- Blue, blinking once every 3s: The USB Slider is registering with a 3G/3G+ network.
- Green, solid: The USB Slider is connected to a 2G network.
- Blue, solid: The USB Slider is connected to a 3G network.
- Cyan, solid: The USB Slider is connected to a 3G+ network.
- Off: The USB Slider is removed.

4 SIM/USIM Card Slot

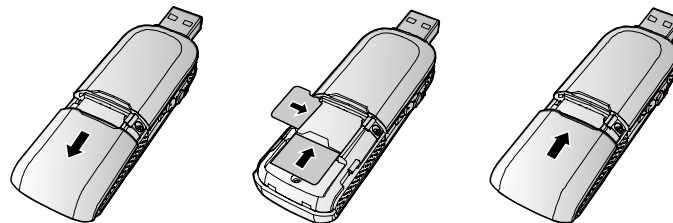
It holds a Subscriber Identity Module (SIM)/Universal Subscriber Identity Module (USIM) card.

5 microSD Card Slot

It holds a microSD card.

Getting Your USB Slider Ready

1. Slide the back cover to remove it from the USB Slider.
2. Insert the SIM/USIM card and the microSD card into the corresponding card slots, as shown in the following figure.
3. Replace the back cover and slide it into place.



Note:

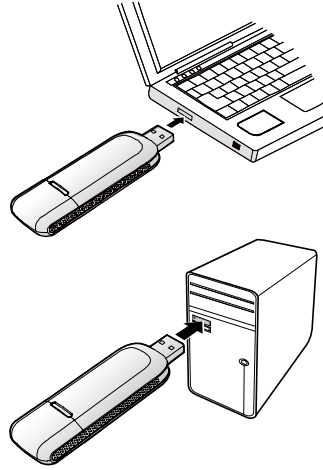
- The microSD card is an optional accessory. If it is not provided in the package, you can buy one yourself.
- Ensure that the beveled edge of the SIM/USIM card is properly aligned with that of the SIM/USIM card slot and the microSD card is inserted according to the direction as labeled on the microSD card slot.
- Do not remove the microSD or SIM/USIM card when the card is in use. Otherwise, the card as well as your USB Slider may get damaged and the data stored on the card may be corrupted.

Installation/Removal Guide

The procedure for installing the management program depends on the operating system (OS) installed on your PC. The following sections take Windows XP as an example.

Connecting the USB Slider to a PC

Plug the USB Slider into the USB port of your PC.



Installing the USB Slider Management Program

1. Connect the USB Slider with the PC.
2. The OS automatically detects and recognizes the new hardware and starts the installation wizard.

Note:

If the auto-run program does not respond, find the AutoRun.exe file in the driver path. Then double-click AutoRun.exe to run the program.


3. Follow the on-screen instructions of the installation wizard.
4. After the program is installed, a shortcut icon for the management program appears on the desktop.

Starting the Management Program

After being installed, the management program starts automatically. Then every time the USB Slider is connected to the PC, the management program starts automatically.

You can also double-click the shortcut icon on the desktop to start the management program.

Removing the USB Slider

1. Double-click  in the notification area. Then the **Unplug or Eject Hardware** dialog box appears.
2. Select the corresponding hardware and then click **Stop**.
3. When the message "**It is safe to remove the device**" appears, remove the USB Slider.

Uninstalling the Management Program

1. Choose **Start > Control Panel > Add or Remove Programs**.
2. Find the management program and click **Remove** to uninstall the management program.

Note:

Exit the management program before uninstalling it.